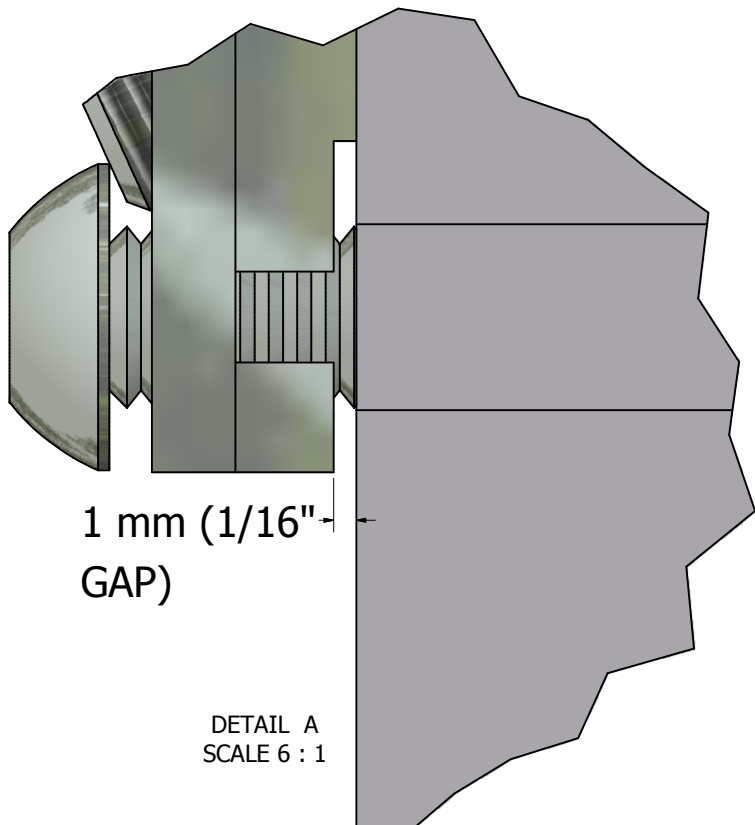




DON'T TIGHTEN POWER-LOCK  
BUTTON HEAD SCREW ALL THE  
WAY DOWN. LEAVE ABOUT A 1mm  
GAP SO THE POWER-LOCK HAS  
A LITTLE PLAY



1 mm (1/16"  
GAP)

DETAIL A  
SCALE 6 : 1