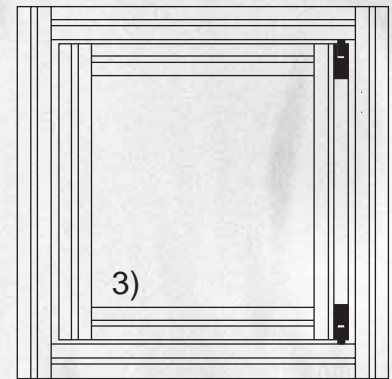
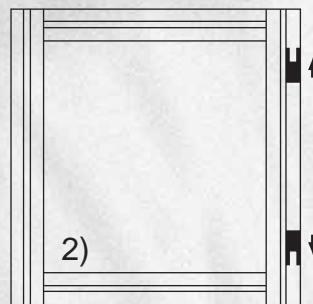
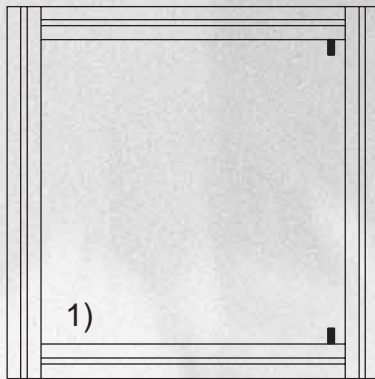
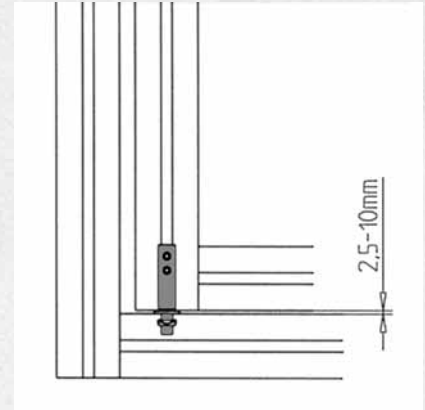


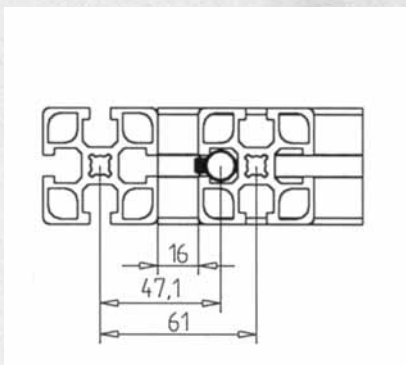
INTERNAL HINGE AL



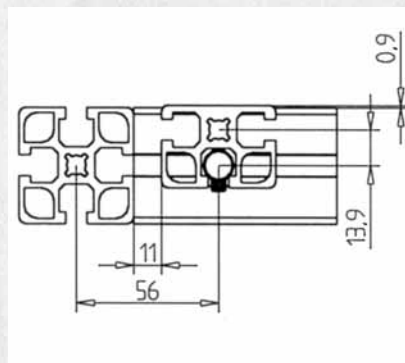
Assembly

- 1) Screw snap bolts onto the frame and insert washer.
- 2) Insert hinge into door element.
- 3) Hold the door element above the grooves, push hinges onto snap bolts and tighten them.

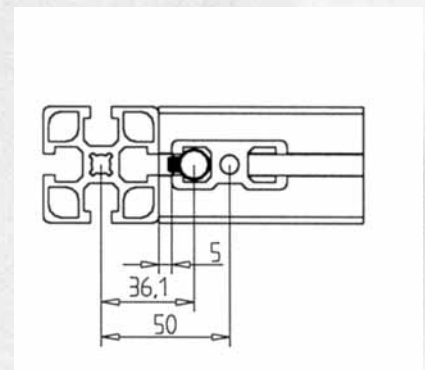
Distance of the snap bolts from the frame:



Assembly in inner groove:
47,1 mm



Assembly in central groove:
56 mm



Assembly in inner groove:
36,1 mm